

One-way valve Heimlich type

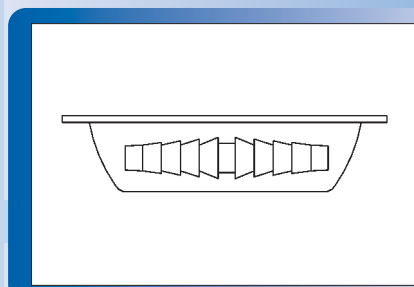
FEATURES

It is a non-return valve for thoracic drainage which prevents the air backflow towards the patient and allows the drainage without the catheter clamping. The Heimlich valve is equipped with a double conic connector that from one end makes easier the connection to the thoracic catheter in the patient's and from the other one to a collection system. Redax has developed its entire range of Heimlich valves available with pre-connected collection bag. A version with a bag provided with an hydrophobic filter that allows a slow evacuation of the air has been realized for a better patient's thoracic comfort.

CODE	DESCRIPTION
10530	Thoracic drainage valve Heimlich type
PACKAGING: 50 PIECES PER BOX	
10531	Valve Heimlich type with 600ml bag provided with filter
10533	Valve Heimlich type with 600ml bag and release valve
PACKAGING: 10 PIECES PER BOX	



Connectors for Thoracic Catheters

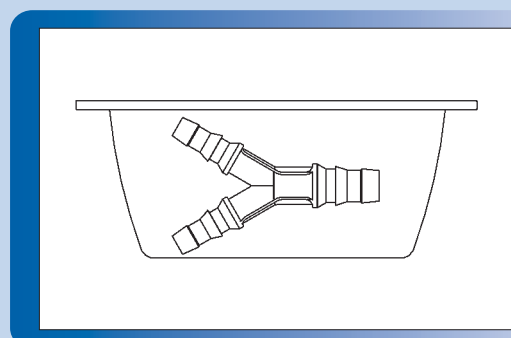


STRAIGHT CONNECTORS

CODE	O.D. (mm) I.D. (mm)		DESCRIPTION
	O.D. (mm)	I.D. (mm)	
10500	7 - 9,3	5	Asimmetric Connector CH 24 - 40
10507	7 - 10	5	Double Cone Connector CH 24 - 32
10509	9,5 - 13	7	Double Cone Connector CH 32 - 36
PACKAGING: 50 PIECES PER BOX			

"Y" CONNECTORS

CODE	DESCRIPTION
10510	3/8 3/8 3/8 Connector - for size CH 34 - 40
10515	3/8 1/4 1/4 Connector - for size CH 24 - 32
10516	1/4 1/4 1/4 Connector - for size CH 20 - 32
10517	3/8 3/16 3/16 Connector - for size CH 16 - 20
PACKAGING: 50 PIECES PER BOX	



THORACIC CATHETERS



REDAX®

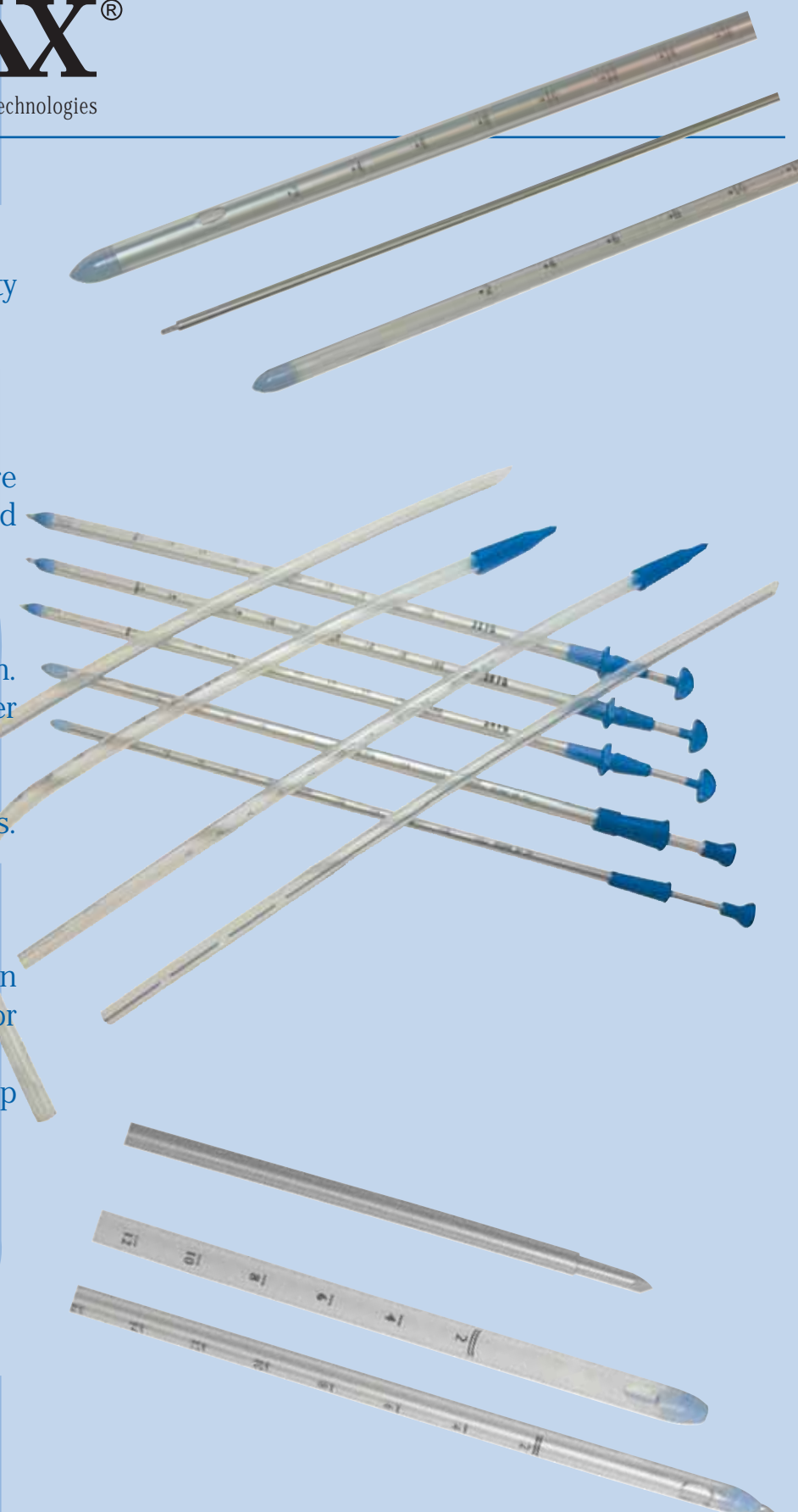
from experience, new drainage technologies

Redax manufactures a large variety of superior quality silicone and PVC disposable catheters for cardio-thoracic surgery.

All PVC and silicone catheters are tested for haemocompatibility and biocompatibility.

Redax drains are designed with atraumatic tip for ease of insertion. Depth markings facilitate catheter placement. Complete range providing surgeon with a wide choice for different patients needs.

Trocar Catheters have been designed to safely perform the traditional approach to chest drain insertion with atraumatic open or blunt tip trocar. Recently available also with sharp tip.



REDAX®

from experience, new drainage technologies

Via Volta, 51 - 41037 Mirandola (MO) ITALY
tel. +39 0535 611673 fax +39 0535 23224
e-mail: info@redax.it - www.redax.it

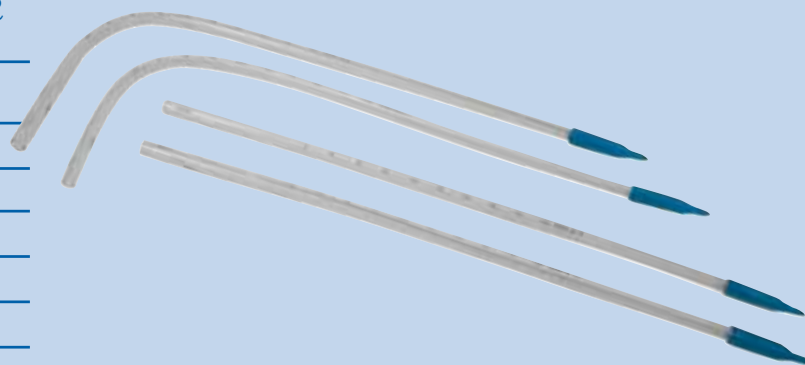
PVC Thoracic Catheters: Straight and Right Angle

FEATURES

Clear thermosensitive PVC catheter and choice of straight or angled • Haemocompatible and biocompatible PVC catheter • Radiopaque X-ray line aids in accurate positioning and depth marks at 2 cm increments • Elliptical smooth side eyes and open distal tip minimize occlusion and encourage fluid evacuation • Tapered blue connector cap can be cropped to form funnel connector • Comprehensive range of sizes from 16 to 40 CH.

CODE ANGLED cm 50	CODE STRAIGHT cm 50	EXT. DIAMETER	
		CH	mm
20916	21016	16	5.3
20920	21020	20	6.6
20924	21024	24	8.0
20928	21028	28	9.3
20930	21030	30	10.0
20932	21032	32	10.6
20936	21036	36	12.0
20940	21040	40	13.3

PACKAGING: 20 PIECES PER BOX



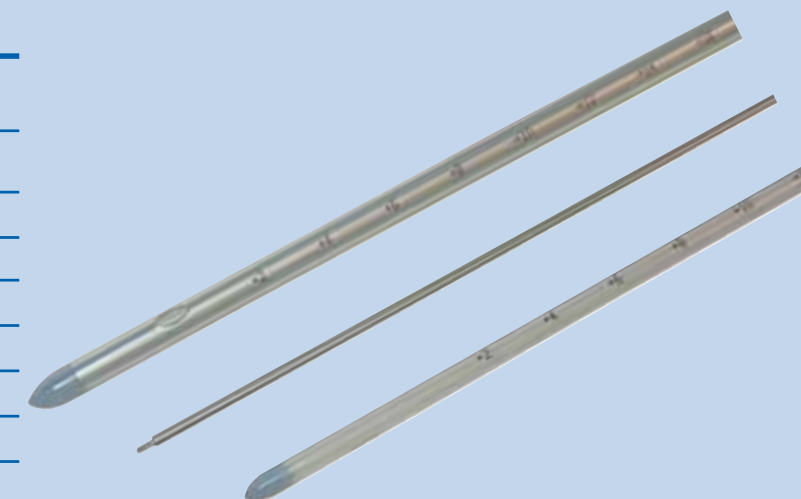
Trocar Catheters - Closed tip

FEATURES

Clear thermosensitive PVC catheter over precision metallic trocar • Closed end tip to minimize the risk of inadvertent lung puncture • Haemocompatible and biocompatible PVC catheter • Radiopaque X-ray aids in accurate positioning and depth marks at 2 cm increments • Smooth side eyes and atraumatic blunt distal tip • Integral funnel connector • Comprehensive range of sizes from 8 to 32 CH.

CODE	LENGHT	EXT. DIAMETER	
		CH	mm
21108	22 cm	8	2.6
21110	22 cm	10	3.3
21112	25 cm	12	4.0
21116	25 cm	16	5.3
21118	25 cm	18	6.0
21120	40 cm	20	6.6
21124	40 cm	24	8.0
21128	40 cm	28	9.3
21132	40 cm	32	10.6

PACKAGING: 10 PIECES PER BOX



Silicone Thoracic Catheters: Straight and Right Angle

FEATURES

Biocompatible, haemocompatible, thrombo-resistant silicone catheter • Soft, kink-resistant and conforms to anatomical structures to provide patient comfort • Radiopaque X-ray line aids in accurate positioning and depth marks at 2 cm increments • Elliptical smooth side eyes and open distal tip minimize occlusion and encourage fluid evacuation • Beveled end for atraumatic insertion • Comprehensive range of sizes with choice of straight or angled.

CODE STRAIGHT cm 50	CODE ANGLED cm 50	EXT. DIAMETER	
		CH	mm
20812	-	12	4
20815	-	15	5
20818	-	18	6
20821	-	21	7
20824	21824	24	8
20828	21828	28	9.3
20830	21830	30	10
20833	21833	33	11
20836	21836	36	12

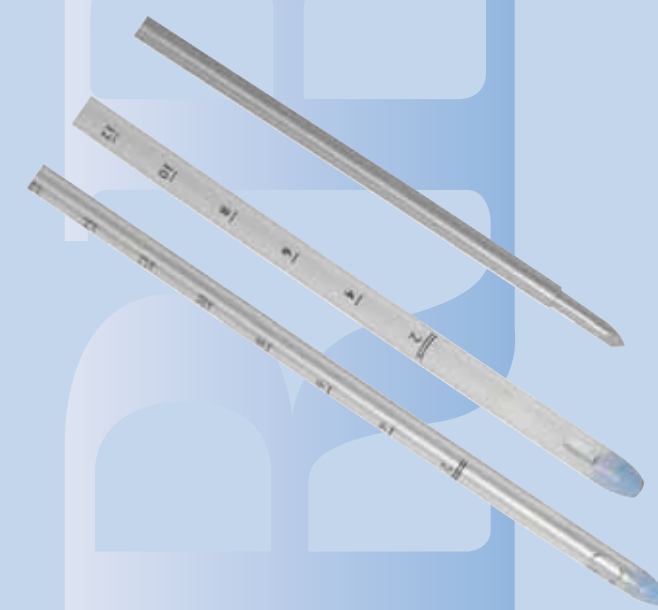
PACKAGING: 20 PIECES PER BOX



Trocar Catheters - Sharp tip

FEATURES

Clear thermosensitive PVC catheter over precision metallic trocar • Haemocompatible and biocompatible PVC catheter • Radiopaque X-ray line aids in accurate positioning and depth marks at 2 cm increments • Smooth side eyes and open distal tip • Integral funnel connector • Two smooth finish drainage eyes • Open distal tip available with atraumatic sharp end



CODE SHARP TIP	EXTERNAL DIAMETER		
	LENGHT	CH	mm
11216	27 cm	16	5.3
11220	42 cm	20	6.6
11224	42 cm	24	8.0
11228	42 cm	28	9.3
11232	42 cm	32	10.6

PACKAGING: 10 PIECES PER BOX