

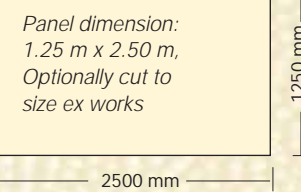
DECOBA Plax Surface protection against scratches and dirt



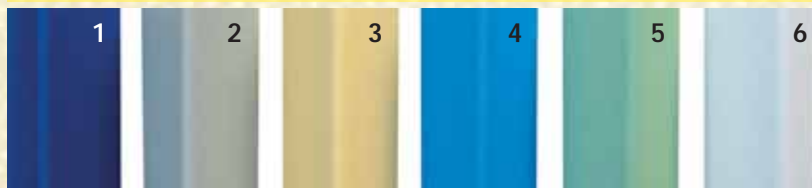
DECOBA Plax: Protective wall sheathing. Whether small or large surfaces, the DECObA Plax act like veritable shields against damage and dirt. They come in particularly useful in corridors, waiting rooms, industrial halls, sports halls or canteens.

Material:

- 2.5 mm DECObA polycarbonate
- Panel dimensions: 1.25 m x 2.50 m
- Cut to size ex works
- Fastened with mounting glue



DECOBA Farben Available in 6 colours



Marine Light grey Maize yellow Azure blue Pastel green White

DECOBA polycarbonate sections and sheathing are solid-coloured and have a shiny, high-quality, structured surface of high visual clarity. UV-resistant indoors.

Colours: marine, light grey, maize yellow, azure blue, pastel green and white. DECObA Plax is additionally available in transparent. Special RAL colours possible on request.

DECOBA Polycarbonat Convincing advantages

- Pleasant surface feel
 - High impact strength across a wide temperature range from -20 °C to 125°C.
 - Extreme strength at high elasticity
 - Extremely scratch-resistant
 - Heat-distortion resistant up to 130°C
 - Easy to install
 - Chemical resistance against mineral acids (carbon dioxide, lactic and citric acid), against ether and alcohols,
- against a variety of greases and oils. Please note: Not resistant against chlorinated hydrocarbons, ketones and alkaline solutions. Danger of stress corrosion.
- Harmless to health
 - Neutral in taste and odour
 - Good cleanability. As a rule, a dry cloth is sufficient to easily remove adhering dirt or traces of abrasion.
- Cleaning with commercial cleaning agents possible.
 - Flame resistance and toxicity classified acc. to M and F category
 - Due to the added flame protection additives, the material is not suitable for direct contact with food
 - Good indoor UV-resistance
 - Environmentally compatible as the material is recyclable and reusable



DECOBA
Wandschutzsysteme GmbH
Bildstocker Straße 14
D-66538 Neunkirchen

Tel.: +49 (0)68 21-8 69 21-0
Fax: +49 (0)68 21-8 69 21-20

E-Mail: info@decoba.com
www.decoba.com

DECOBA

Wall Protection Systems



NEW

Wall Protection

MADE OF POLYCARBONATE

DECOBA

Wall Protection Systems

NEW DECOBA: Wall Protection

MADE OF POLYCARBONATE

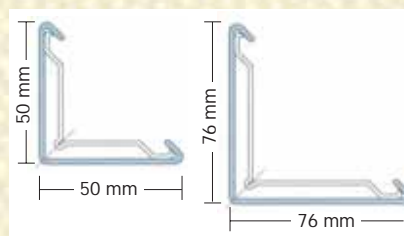


DECObA Corner For lastingly beautiful corners



DECObA Corner: Edge and corner protection. Prevents punctual and linear damage to edges and corners and simultaneously reduces the risk of injury, for instance in health care, at nursery schools, schools, offices and workshops.

- Material:**
- Substructure: Sturdy aluminium section
 - Sheathing: 2.5 mm DECObA polycarbonate section
 - Rounded end caps
 - 2 sizes: 50 x 50 and 76 x 76 mm
 - Standard length: 6 m
 - Cut to size ex works



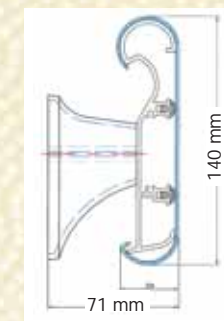
Side length 50 x 50 mm or 76 x 76 mm

DECObA Hander 140 One system for hand and wall



DECObA Hander 140: Combined handrail and wall protection. Whether at schools, gymnasiums, community centres, canteens or nursing homes: this system offers an extremely large variety of different uses. The DECObA Hander helps you keep everything under control on your stairs and along your hallways. At the same time, this sturdy bumping protection keeps supply bays or transport trolleys at a discreet distance.

- Material:**
- Substructure: extrusion moulded aluminium section with 2 sprung sections
 - Sheathing: 2.5 mm DECObA polycarbonate section, 140 mm high
 - Rounded end caps and connectors
 - Installation by means of wall brackets
 - Standard length: 4 m
 - Cut to size ex works



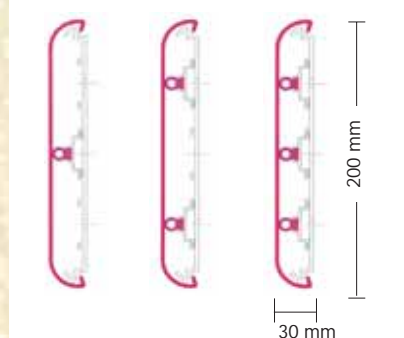
High impact-resistance thanks to 2 sprung sections

DECObA Bumper Around-the-clock protection for hallways and passages



DECObA Bumper: Bumping protection. Protect your walls against bays, apparatus, transport or cleaning trolley and pallet impact. Select the height that suits your individual requirements and avoid expensive repair and regular renovation work, for instance in production halls, storerooms and workshops

- Material:**
- Substructure: extrusion moulded aluminium section with fastening holes, optionally with 1, 2 or 3 sprung sections
 - Sheathing: 2.5 mm DECObA polycarbonate section, 200 mm high
 - Rounded end caps
 - Standard length: 4 m
 - Cut to size ex works



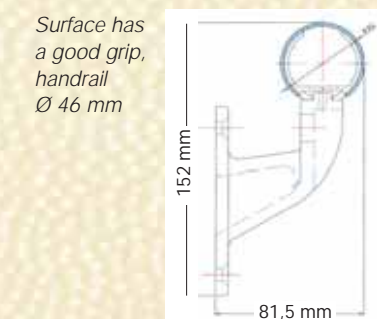
Optionally with 1, 2 or 3 sprung sections depending on load rate

DECObA Hander 46 Everything firmly under control wherever you go



DECObA Hander 46: Handrail. Especially for elderly or disabled people or everywhere a secure footing is needed, the DECObA handrail is a valuable aid in everyday life. The polycarbonate material has a good feel and the special DECObA surface structure provides a good grip. Ideal for staircases and hallways.

- Material:**
- Substructure: extrusion moulded aluminium section
 - Sheathing: 2.5 mm DECObA polycarbonate section, Ø 46 mm
 - Rounded end caps and connectors
 - Installation by means of wall brackets
 - Standard length: 4 m
 - Cut to size ex works



Surface has a good grip, handrail Ø 46 mm

DECObA wall protection systems: impact-, shock- and scratch-resistant, easy to install, flame resistance and toxicity classified acc. to M and F category, easy to clean and disinfected – available in 6 colours.

DECObA
Wall Protection Systems