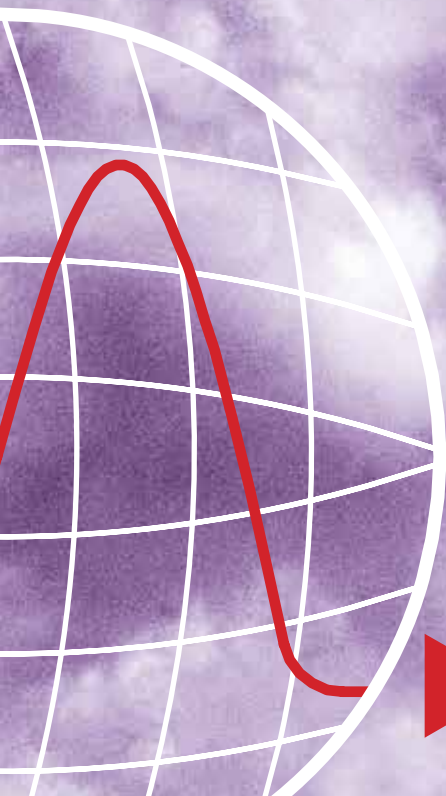


UVGI Device for Direct Irradiations



LIGHT PROGRESS

UV-DIRECT-NX



UV-DIRECT-NX

Germicidal UV-C Device for Disinfection by Direct Irradiation



UV-DIRECT ...H-NX series includes a UV-C tube lodged inside a shaped case of small size, entirely made of stainless steel, and with polished aluminum screen, to increase performance also reflecting the proportion of UV-C which should be dispersed in the direction opposite to that useful. The UV-C tubes, with emission peak at 253.7 nm. (nanometers), have a strong germicidal power against all organisms (fungi, bacteria and viruses).

There are 2 types of models:

1) UV-DIRECT ...H-NX: The shaped case consists of a box of stainless steel AISI 304, within which a watertight plastic channel is located, containing all the electronic power supply, with degree of protection IP 55 and double insulation (CLASS II).

2) UV-DIRECT ...H-NX4: The shaped case consists of a box of stainless steel AISI 304, within which all the electronic power supply is located; degree of protection is IP 40 and ground connection it's necessary.

The UV-C tube can also be protected by a grid of stainless steel AISI 304 (option). The unit comes complete with a cable 2x1 (3x1) mmq, without plug for power supply.

- Selective UV-C lamp (at 253.7 nm.) with high efficiency lighting.
- Body in Stainless Steel AISI 304
- All the used materials are tested for resistance to intense UV-C rays.
- Powered with electronic ballasts specific for UV-C rays lamps
- Reflector in extremely pure mirror bright aluminium.
- Direct protection of the lamp with a stainless steel grid
- CE mark (LVD - EMC - MD - RoHS).



APPLICATION AND RESULTS

The devices of the UV-DIRECT series can be installed in any type of environment to obtain deep disinfection of air and surfaces, even those that are difficult to reach with traditional cleaning systems. When the tube is ON there is a strong reduction of microbes present in the ambient air and on the surfaces reached by UV rays. For example, in 8 minutes at a distance of 3 m. from the device, there is a 99% reduction of bacteria Bacillus, Coli, Clostridium, Legionella, Vibrio, Salmonella, Pseudomonas, Staphylococcus, Streptococcus, etc. Thanks to the natural circulation of the air, even the microbes located in hidden areas are continuously pulled toward the area of the U.V. rays so that their overall level decreases progressively.



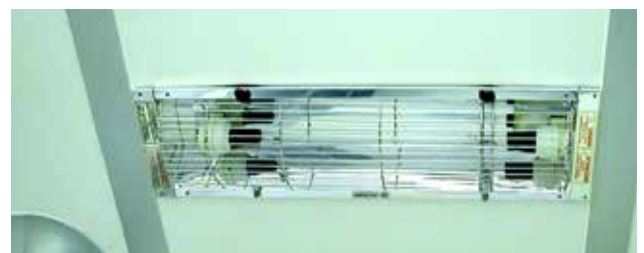
OPERATING

Use is allowed only with no personnel present or if contained within adequately screened areas.

The device must be switched on for 2 ± 3 hours during the hours of work breaks; for example, by means of a programming clock, night operation can be managed in the hours immediately prior to the entry of the operators, to allow entry in a freshly disinfected site.

Operation can also be managed by means of appropriate power units that, especially in case of installation of various devices, can manage other operations, such as:

- **Power timing;** it is possible to regulate the duration of treatment by means of a regulatable timer.
- **Managing entries;** a security system turns out the lights in case of entry of staff.
- **Remote and local alarms** in case one or more tubes switch off, due to wear, a spy light will light up on the front panel and it will be possible to use a contact to signal the failure remotely.
- **Counter** to manage the proper replacement of tubes.





BENEFITS AND ADVANTATGES

- **DEEP AND CONTINUOUS DISINFECTION**
This device can be switched on continuously without people being present (i.e. during the night for 2-3 hours). The dis-infection of the air, the machinery, and everything that is contained inside the room allows beginning the work day in ideal hygienic conditions. In this way, the level of microbial load in one site is maintained constantly low.
- **PHYSICAL ACTION AND ECOLOGICAL PROTECTION**
Treatment with UV-C rays is purely physical, always allowing treatment with the same efficiency; there is no danger of overdosing with UV rays in the air. In contrast, many chemical treatment methods involve the use of products that are risky and difficult to biodegrade, with consequent hazards to human health; besides, the use of chemical products, in contrast to UV-C rays, could develop resistant microbial forms.

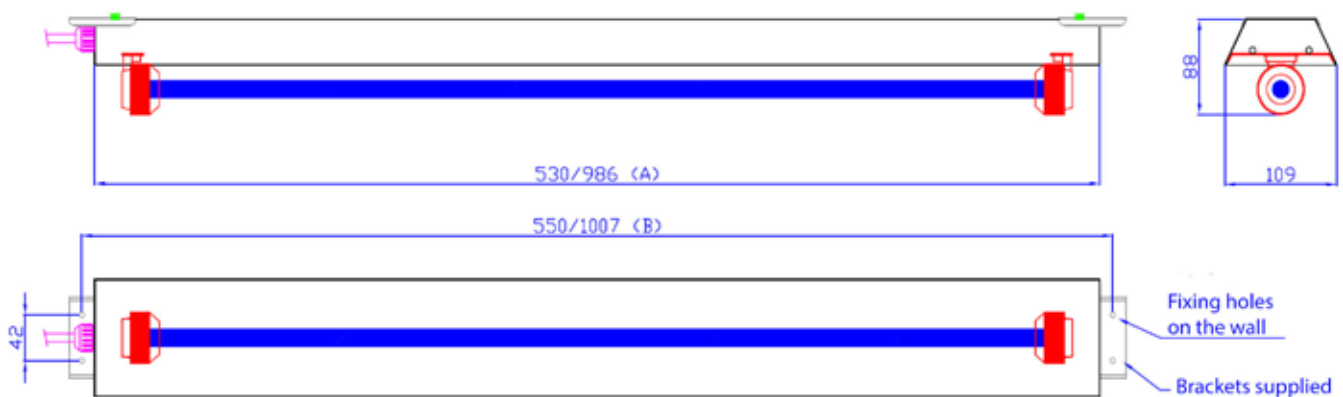


- **PRACTICALITY AND ECONOMY**
Treatment is immediate and ready to use. Maintenance is minimal with low costs of both energy consumption and of maintenance.
- **IMMEDIATE EFFECT**
Effective treatment (99.9% bacteria reduction) takes just a few minutes.
- **NO CHEMICAL/PHYSICAL CHANGES**
Treatment is cold and dry; it causes no organoleptic or qualitative changes in the food.
- **NO DANGER OF DISPERSION OF GLASS**
With the special UVLON® protection, there is no danger of dispersion of glass fragments resulting from any breakage of UV-C tubes.

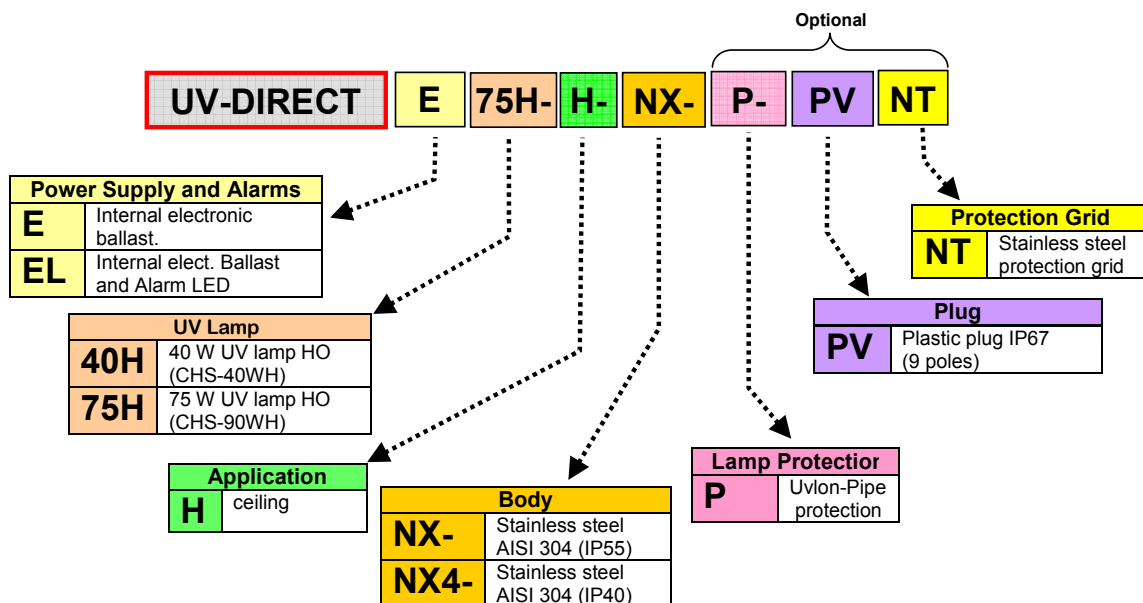


MODELS CHARACTERISTICS

UV-DIRECT	E40H-H-NX	E75H-H-NX	E40H-H-NX4	E75H-H-NX4
LAMP LIFETIME (h)	9000	9000	9000	9000
POWER (W)	40	75	40	75
DIMENSIONS LxSxH (mm.)	530 x 88 x 109	986 x 88 x 109	530 x 88 x 109	986 x 88 x 109
WATERPROOF AND DUST-PROOF	IP 55 CLASS II	IP 55 CLASS II	IP 40 Ground Terminal	IP 40 Ground Terminal
WEIGHT (Kg.)	2	4	2	3,5
TREATED AIR (m ³)	from 20 to 40	from 40 to 65	from 20 to 40	from 40 to 65
TREATED SURFACE (m ²)	from 7 to 13	from 14 to 25	from 7 to 13	from 14 to 25



MODEL CODES



LIGHT PROGRESS

HEAD OFFICE & PRODUCTION PLANT
via G. Marconi, 81
52031 ANGHIARI - Arezzo - ITALY
Ph. +39 (0) 575.74.92.55
Fax +39 (0) 575.78.99.29

PRODUCTION PLANT No.2
Loc. S. Antonino, 40
52043 CASTIGLION FIORENTINO
Arezzo - ITALY

www.lightprogress.it
www.waterprogress.it
www.uv-water.com
info@lightprogress.it

03082015

